



SINTERIZADO  
LUXURY STONE

# LIMITED RESOURCES UNLIMITED CREATIVITY

Inspired By Nature,

SINTERIZADO Sintered Stone is intended to represent  
the beauty of nature with innovative and green  
technology.

# SPACE APPLICATION



Countertops



Bathroom & Kitchen Basin



Kitchen Wall & Floor



Bathroom Wall & Floor



Floors



Exterior Wall Cladding



Tabletops



Stairs



Fireplace



Shower Wall & Floor



Outdoors



Interior Wall Features

# SINTERED STONE

## TECHNICAL FEATURES



# COLLECTION **SERIES**

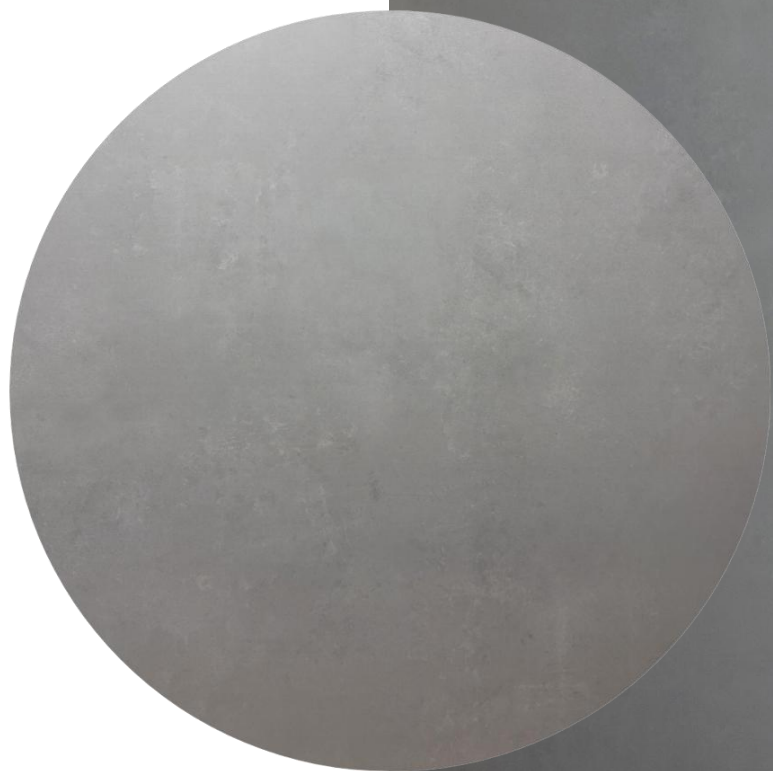


MAYA MEDIUM GREY  
CEMENT ASH  
FRENCH LIMESTONE  
ROYAL CALACATTA  
PURE WHITE

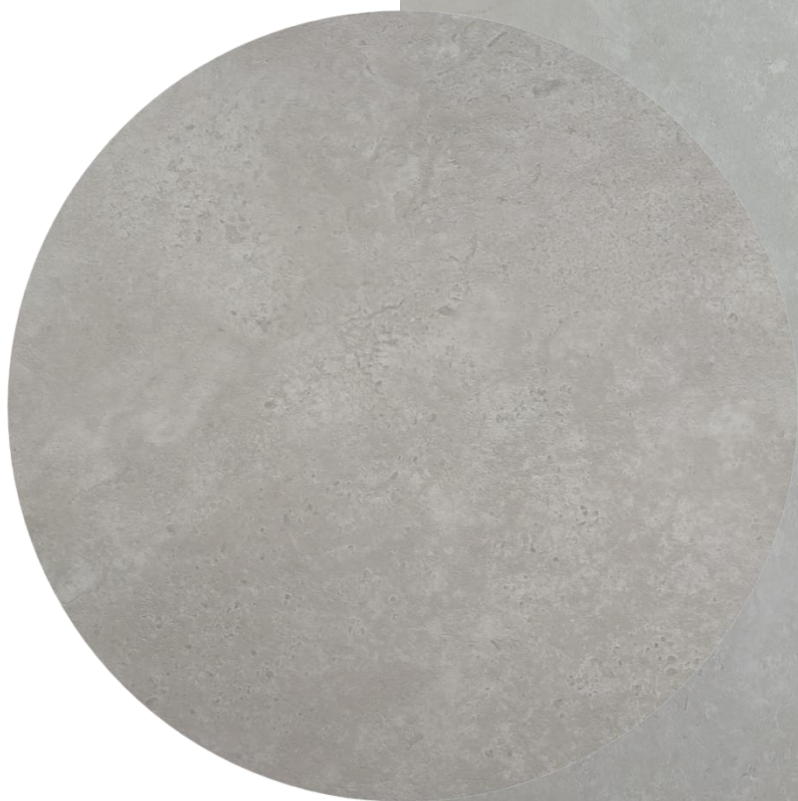
MAYA MEDIUM GREY



CEMENT ASH



FRENCH LIMESTONE



SINTERIZADO  
LUXURY STONE

ROYAL CALACATTA

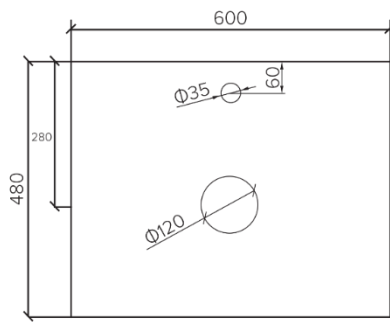


SINTERIZADO  
LUXURY STONE

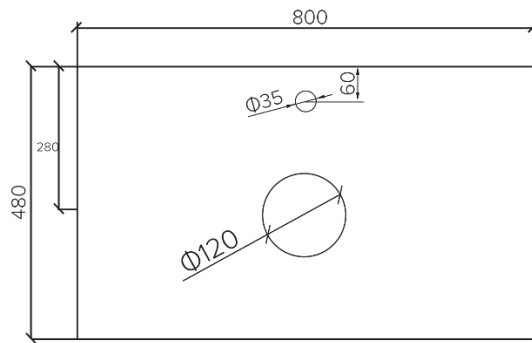
PURE WHITE



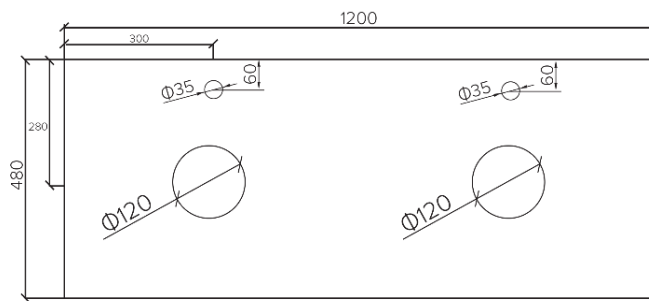
## Sintered Stone Countertops – Enzo and Urban Ranges



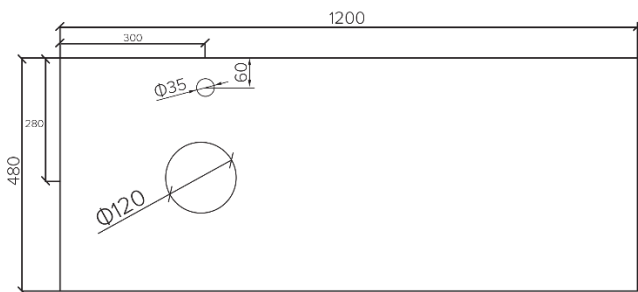
**Counter Top**



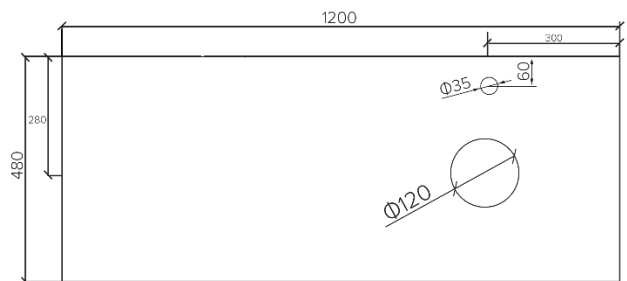
**Counter Top**



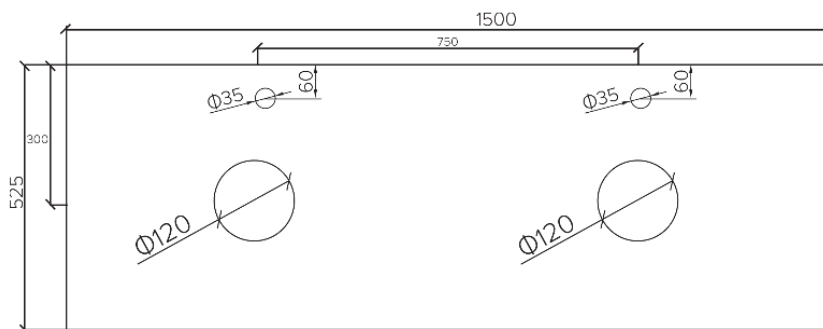
**Counter Top**



**Counter Top (left or right)**

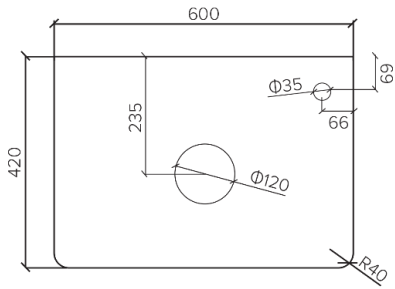


**Counter Top (left or right)**

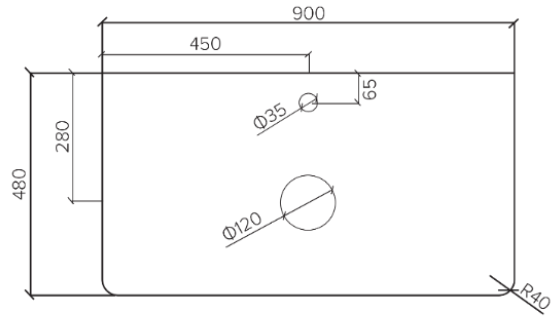


**Counter Top**

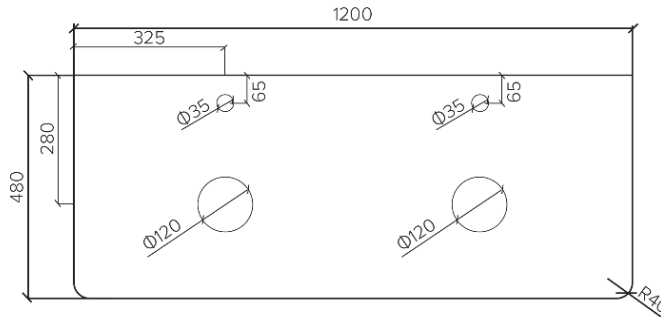
Sintered Stone Countertops – Milan, Venice, Lazio, Santorini and Trento Ranges



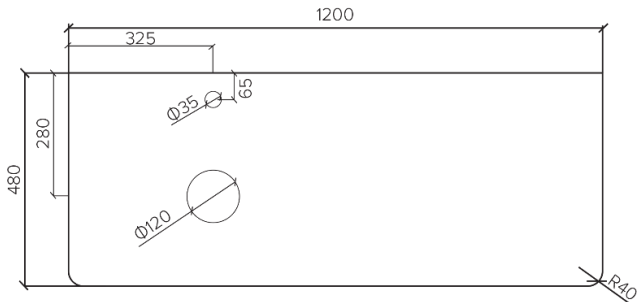
Counter Top



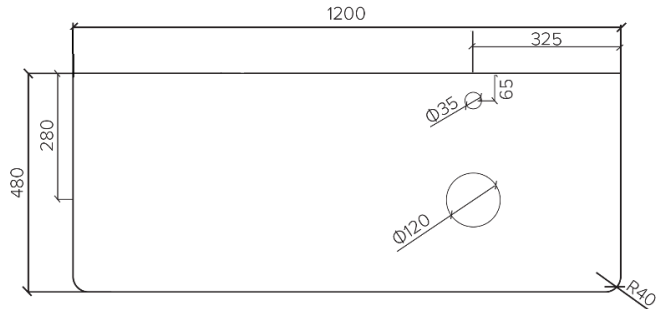
Counter Top



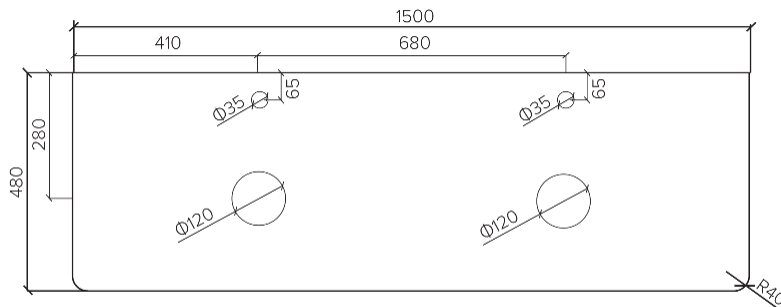
Counter Top



Counter Top (left or right)



Counter Top (left or right)



Counter Top

UNIT 4 MIXCRETE FACTORIES  
13 BLOUBOKKIE ST  
KOEDOESPOORT INDUSTRIAL  
PRETORIA GAUTENG  
SOUTH AFRICA  
TEL: 082 827 8807

